

Standard Features

- Hand welded, solid stainless steel decorative frame
- Included push-to-open mechanism for easy access
- All cabinets are non-handed/reversible
- Mirrored interior with 3 adjustable, cantilevered glass shelves
- Cantilever shelving adjustable in 1" increments
- Includes installation hardware for recess mounting
- Recessed mounting only
- Blum 155° slow-close hinges

Electric Upgrade

- Magnetic strip
- Interior lighting
- USB charging ports
- Electrical outlets
- Phone holder
- Sliding magnification mirror
- Quick caddy
- Blum 155° slow-close hinges
- Push-to-open kit

Add-On Accessories

- IQ™ digital lock box (DLB-20)
- Solid Stainless Steel handle (EDGE Pull-84)
- Glass storage bins (GLASSBIN3.25, GLASSBIN5.25, GLASSBIN8.5)

Construction

- Rust free Satin anodized aluminum cabinet box construction
- Blum hinges standard
- 3 mirror design - rear of cabinet and both sides of door

Codes/Standards Applicable

- Electric Option Models are ETL certified to:
 - UL 962
 - CSA Standard C22.2 No. 68

Dimensions

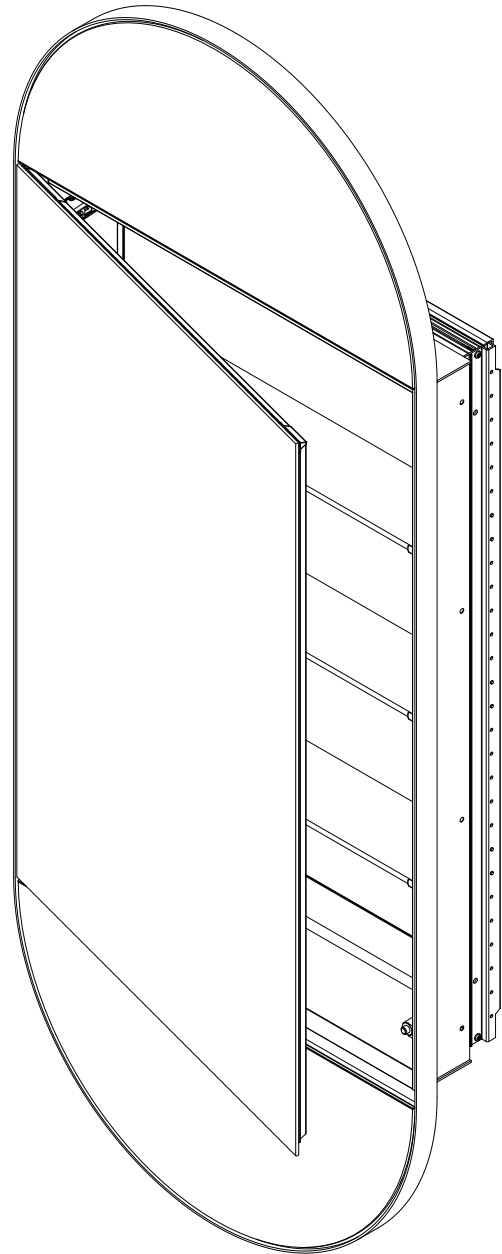
Width: 19-1/2" (495 mm)
 Height: 49-1/2" (1257 mm)
 Depth: 1" (25.4 mm) Exposed frame depth
 4" (102 mm) Recessed cabinet depth

Installation

Recessed Mount - Rough Opening - 19" W x 29-1/2" H x 4" D
 (483 mm W x 749 mm H x 102 mm D)

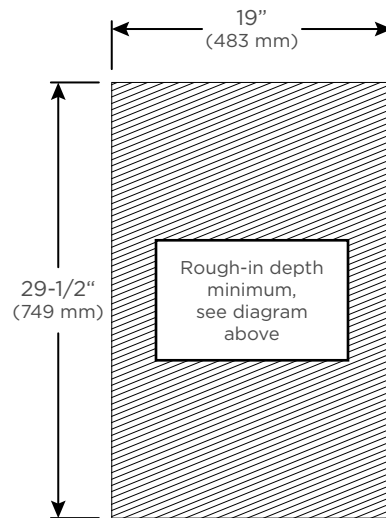
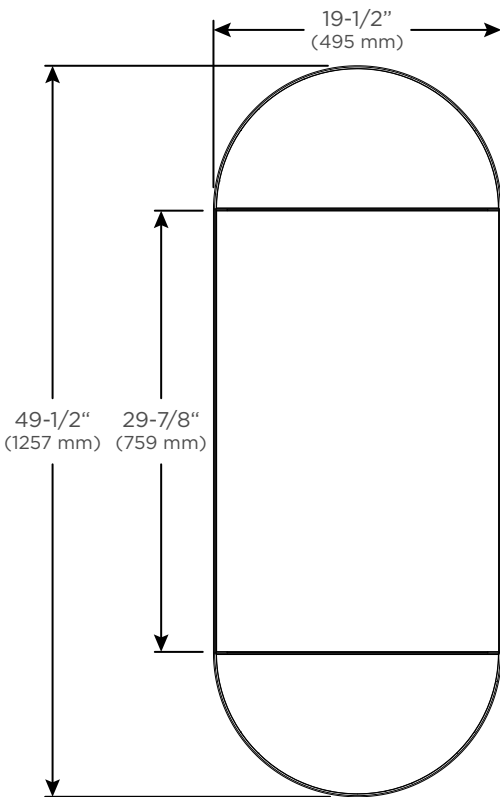
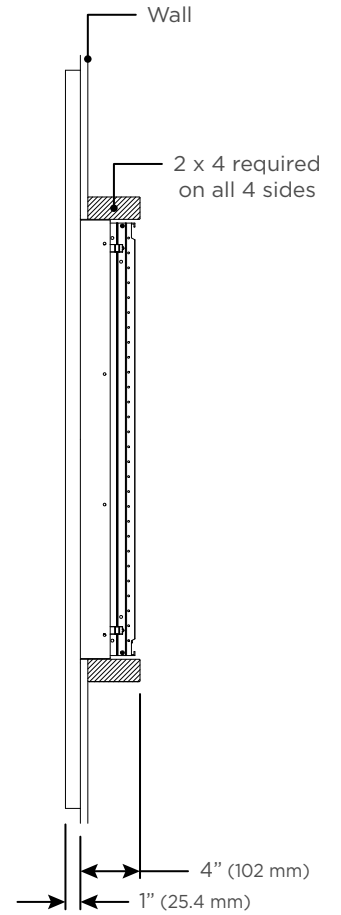
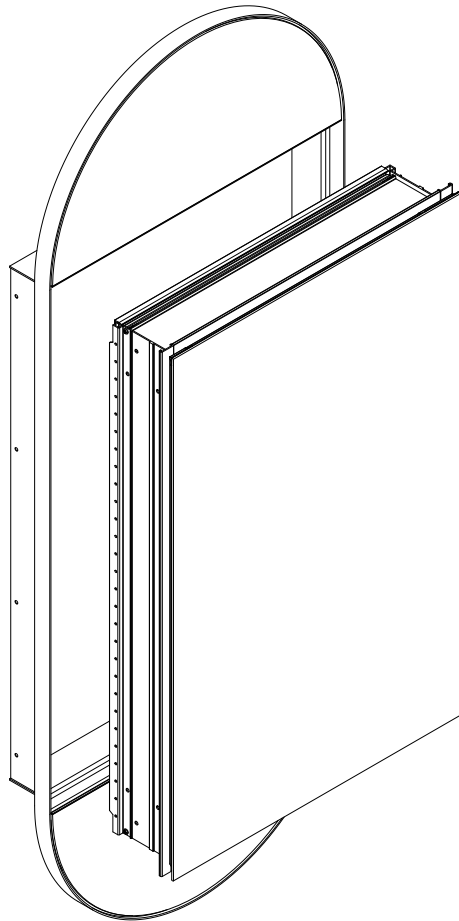
Electrical System

- 120 VAC 60HZ 20A
- Field wire location as shown in drawing
- 1/2" conduit (Ø 7/8" actual) electrical knockout location shown below



Model Number Key

	Width	Height	Depth	Frame Style	Frame Finish	Package Option
D2C	20	50	D4	MP = Murray Hill Pill	83 = Matte Black 84 = Polished Stainless Steel	SP = Slow-Close Hinges, Push-to-Open Kit TP = Slow-Close Hinges, Push-to-Open Kit, Sliding Magnification Mirror, Quick Caddy, Magnetic Strip, Interior Lighting, USB Charging Ports, Electrical Outlets, Phone Holder



Rough-in Dimensions

